

OMNIFILTER®

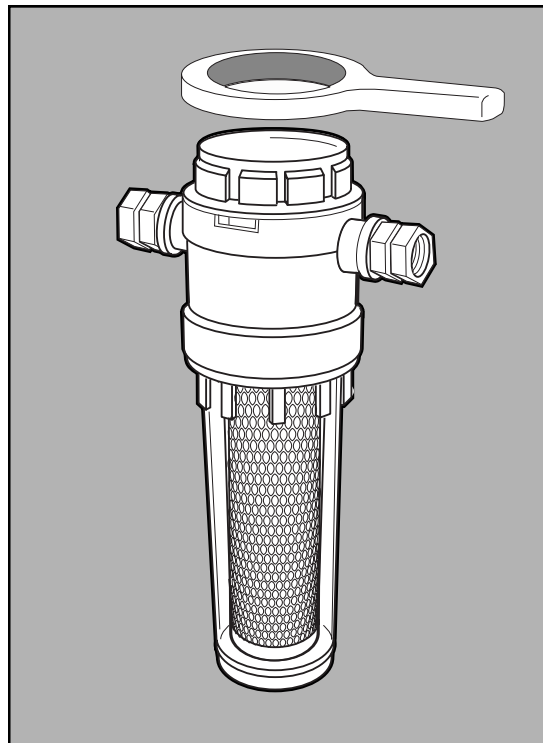
293 Wright St. • Delavan, WI 53115

Phone: 1-800-937-6664

www.omnifilter.com

Complete Household Water Filter

INSTALLATION INSTRUCTIONS



Model U27

For further operating, installation, or maintenance assistance:

**Call Omnifilter Customer Service
at 800-937-6664**

NOTICES

Carefully read and follow instructions.

Use the unit only in ambient air temperatures of 35–100° F (2–38° C) and water temperatures of 35–100°F (2–38° C).

This installation must comply with all applicable state and local regulations.

Do not use with water that is microbiologically unsafe or of unknown quality without adequate disinfection before or after the system.

Do not expose the unit to direct sunlight or use this unit outdoors. Do not use electrical heating tape on this unit.

Do not use pipe compound ("pipe dope"), sticks, or similar compounds with this unit; they contain petroleum derivatives which will cause crazing and cracking of the plastic in the filter.

Do not use aerosol sprays (bug spray, cleaning fluids, etc.) near the filter; they contain organic solvents which will cause crazing and cracking of the plastic in the filter.

Use only teflon tape without adhesive backing to seal joints.

Use only soap and water to clean filter housing and components.

Change the cartridge every 3 months (or more often if you notice a sustained drop in water pressure or a change in the quality of the water). Follow the "Procedure For Cartridge Change" (Page 3) when changing cartridges. Use only OMNIFILTER replacement cartridges.

The fittings included with this unit allow for installation with 3/4" copper pipe. If your plumbing is NOT 3/4" copper (for example, if it is galvanized), additional fittings are required.

Install the unit vertically (with cartridge tank pointing down) ahead of the hot water heater. Allow 3" clearance below the cartridge tank to allow for changing the cartridge.

DO NOT use a torch near the unit.

This unit is designed for non-commercial use on cold water lines only.

Wear safety glasses during installation.

⚠ WARNING Risk of electrical shock. If your water pipes are used to ground your house's electrical system, install a No. 8 AWG (8.4mm²) jumper wire (or larger) around the filter (see Figure 1). The jumper wire must be connected at both ends by a pressure wire fitting or other connection that satisfies NEC or CEC and local codes. Consult a building inspector or licensed electrician for more information.

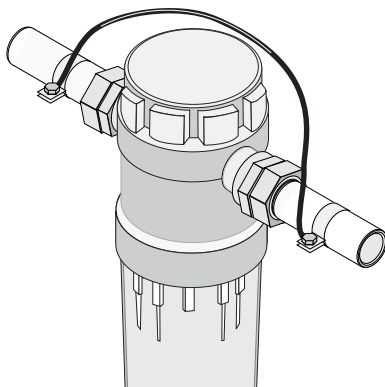


Figure 1

PERFORMANCE DATA

Operating Pressure:25–125 psi (172–862 kPa)

Operating Temperature:35°–100° F (2°–38° C)

Rated Flow:5 gpm (19 lpm)

Replacement CartridgeModel RS4

OMNI Replacement Cartridges

Filter Cartridge	Ave. Cartr. Life	Flow Rate	Nominal Micron Rating	Reduces Sediment & Rust Particles
RS4*	3 Mos	5 gpm	5	X

* Comes with U27.

INSTALLATION INSTRUCTIONS

Tools and Fittings Needed:

For Installation with Copper Pipe:

- Tubing cutter (preferred) or hacksaw to cut into pipes
- 10" Adjustable wrench or 1-1/4" open end wrench to tighten locknuts

For Installation with Galvanized Pipe:

- 1 Union plus a 2" Nipple
- Pipe cutter or hacksaw to cut into pipes
- Pipe wrenches to tighten union and nipple
- Pipe threader (some hardware stores will thread pipe for you at purchase – one approach would be to remove one section of pipe and purchase two sections for reinstallation that, together, measure 8" shorter than the piece you removed.)
- Paint thinner or solvent (NOT gasoline) to clean new threads
- Teflon tape without adhesive backing for sealing joints.

All Installations

1. Turn off the main water supply valve and open a faucet on the lowest level of your home to drain the system.
2. Cut out the template (located on the bottom of Page 4) that matches your system's piping.
3. Place the template on the pipe and cut the pipe as shown in Figure 2.

NOTICE: Have a bucket handy to catch any water that may come out of the pipe.

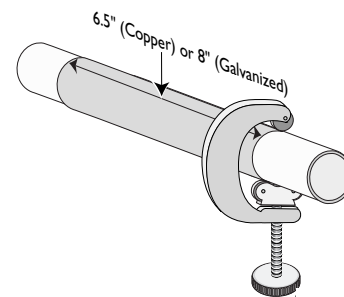


Figure 2

4. **Copper pipe:** Go to Step 5 under "Installation on 3/4" Copper Pipe".

Galvanized pipe: Go to Step 5 under "Installation on Galvanized Pipe".

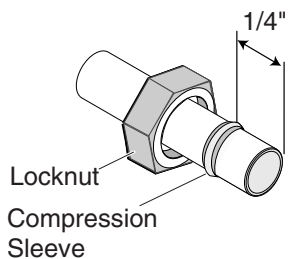


Figure 3

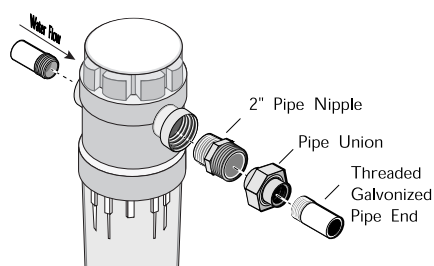


Figure 4

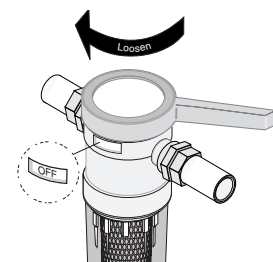


Figure 5

Installation on 3/4" Copper Pipe:

- Place the lock nuts on the pipe, small end first. Follow the lock nuts with the brass compression sleeves (one for each cut pipe end). Slide each brass compression sleeve up 1/4" from the cut end of the pipe (see Figure 3).
- Thread the brass compression fittings into the ports in the housing. Be sure that the red Vibra-Seal end of the fitting goes into the port. Tighten the compression fittings with the 1-1/4" wrench until they are snug. **DO NOT OVERTIGHTEN.**
- Place the filter (with its fittings) in position on the pipe. Be sure that the port marked "IN" is on the side toward the water meter so that the flow enters the filter through this port.
- Insert the copper pipe into the inlet, making sure that the copper pipe bottoms out inside the filter head. Tighten the left-hand lock nut securely with the wrench. Hold the fitting with a wrench to prevent overtightening it in the housing.
- Repeat Step 8 with the outlet compression fitting, sleeve, and nut. Skip to Step 10 under "All Installations".

Installation on Galvanized Pipe:

- Thread the cut pipe ends and clean all traces of cutting oil, rust, hardened pipe compound, etc., from all threads that will be attached to the unit. Clean the pipe threads with paint thinner or solvent (NOT gasoline) and dry them with a clean rag; remove all chips; polish and deburr. Use only teflon tape (without adhesive backing) on the pipe threads attached to this unit.
- Apply teflon tape three turns around the threads of the pipe coming from the water meter. Using the "IN" port, hand screw the filter onto the water pipe until it is tight. Removing the tank will make this easier. **DO NOT OVERTIGHTEN.**
- Wrap three turns of teflon tape around each end of the 2" nipple and screw one end into the "OUT" port on the filter. Screw the union onto the other end of the nipple.
- Wrap the remaining pipe thread with teflon tape and screw the other side of the union onto it until tight.
- Assemble the union and tighten the large nut securely. Make sure that the pipe ends align and that the union is clean for a water-tight fit (no tape or compound on the union-half threads). See Figure 4.

All Installations:

- Install the filter cartridge in the Cartridge Tank.
- To avoid flooding and water damage, make sure that the O-Ring between the housing and the tank is in good condition and properly seated in its groove when reassembling the unit.
- The filter is now ready to test. Turn the filter top (using the blue wrench supplied with the filter) clockwise to "OFF". Slowly open the main water supply valve and check for leaks. Turn the filter top (again using the wrench) from "OFF" to "FILTER". If any fittings or joints leak, tighten slowly until the dripping stops.

- Open the faucet and flush the filter for at least 5 minutes after installation to condition the filter cartridge. Flush the unit for at least 10 seconds every time you use water for drinking or cooking, especially if the water tap is not used daily.

WHEN TO CHANGE THE CARTRIDGE

The cartridge's life depends on the water volume used and the substances in the water. Normally the cartridge should be changed at intervals of ninety days or less. Replace it sooner if the water pressure at the faucet begins to drop noticeably or if you notice changes in the taste, color, or flow of the filtered water.

PROCEDURE FOR CARTRIDGE CHANGE

- Place a pan under the unit to catch any spilled water.
- Turn the filter top (using the blue wrench supplied with the cartridge) clockwise about 45° to "OFF" (see Figure 5).
- Fit the wrench onto the ribs of the tank and turn it slowly to the left to release the pressure and loosen the tank.
- Support the tank as you unscrew it. Pour out the water from the tank and remove and discard the old cartridge. Wipe the inside of the tank clean and dry with a soft cloth.
- Insert a new cartridge into the tank, making sure that it seats over the center post on the tank bottom.
- Lubricate the tank O-ring with a good grade of silicone grease or food-grade vegetable oil and check it for damage. If cut, abraded, or stretched, replace it with a new one.
- Screw the filter tank back onto the filter housing. Hand-tighten the tank. **DO NOT OVER TIGHTEN.**
- Turn the top of the filter to "FILTER" with the filter wrench.

NOTICE: If the tank O-ring leaks after you have tightened the tank with the wrench, **DO NOT** tighten it anymore. Instead, loosen it and make sure that the cartridge is seated over the center tube in the head assembly (not pushing against it). After centering the cartridge, re-tighten the tank and again check for leaks.

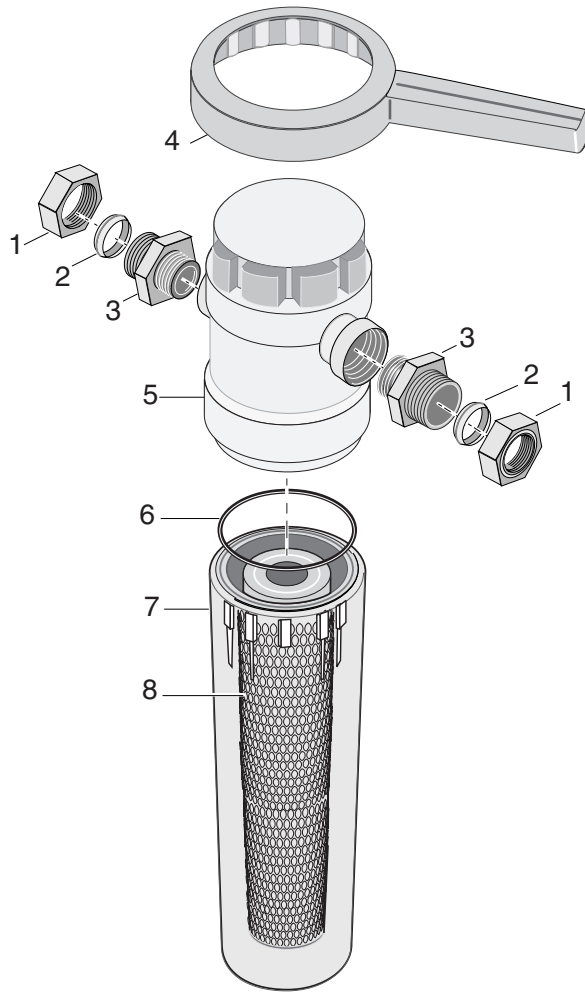
- Open a faucet for about 5 minutes to allow any accumulation of air, fines, etc., to flush out.

NOTICE: Use only genuine OMNIFILTER replacement cartridges for best results. Failure to use OMNIFILTER replacement cartridges will void your warranty.

TO BYPASS THE FILTER

When watering lawns or doing other projects that don't require filtered water, the U27 Complete Household Water Filter System can be bypassed.

- Turn the filter top (using the blue wrench supplied with the cartridge) clockwise about 45° to "BY-PASS". Refer to Figure 5 under the "Procedure for Cartridge Change." section.
- To continue use of the Filter System, turn the filter top (using the blue wrench supplied with the cartridge) counter-clockwise about 45° to "FILTER".



ASSEMBLY PARTS

Key No.	Part Description	Qty.
1	3/4" Compression Nuts	2
2	3/4" Compression Sleeves	2
3	3/4"-3/4" Compression Fittings	2
4	Multi-Purpose Wrench	1
5	Head Assembly	1
6	Tank O-Ring	1
7	Cartridge Tank	1
8	Filter Cartridge (RS4)	1

